

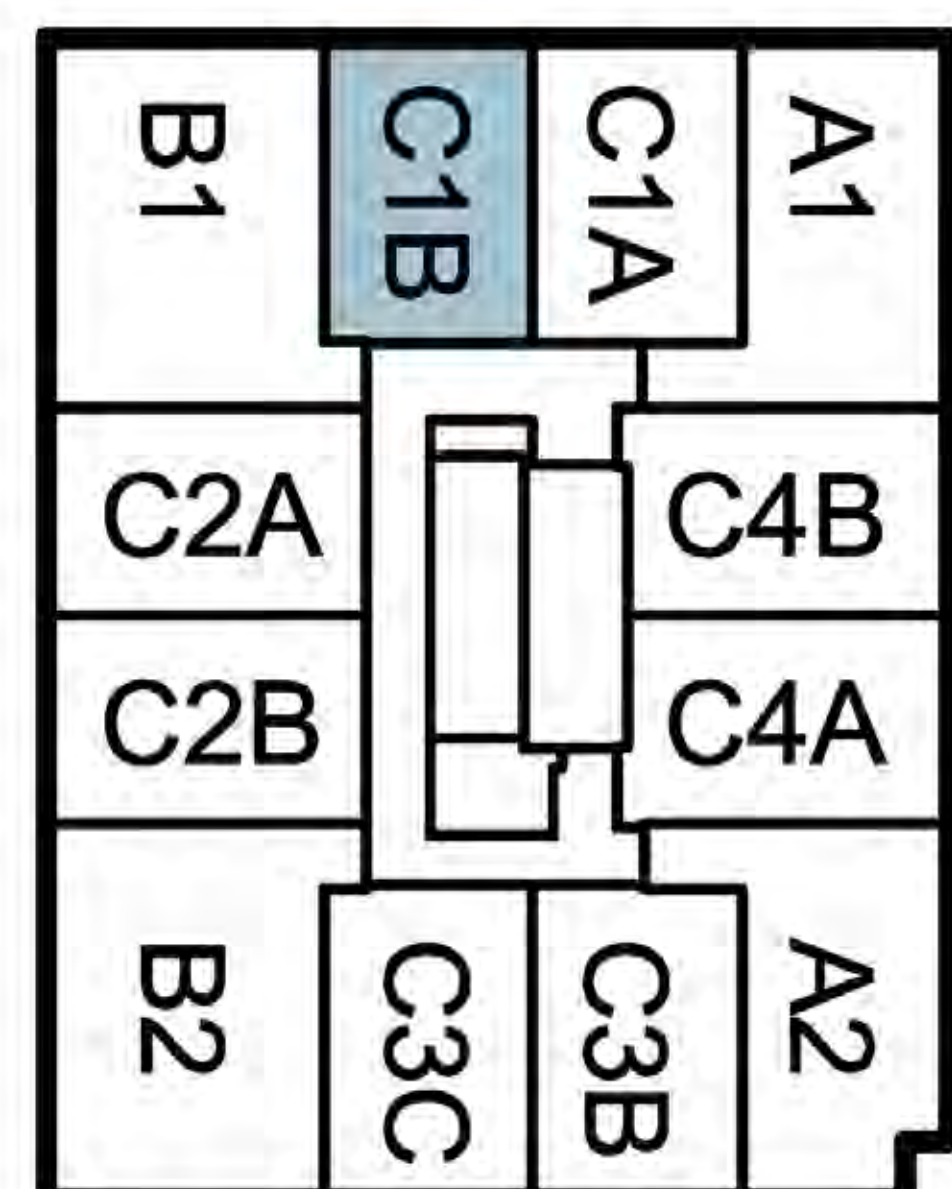


WALNUT  
PLACE



# NEEM

| Bedroom | Bathroom | Balcony



LEVEL 10 - 26

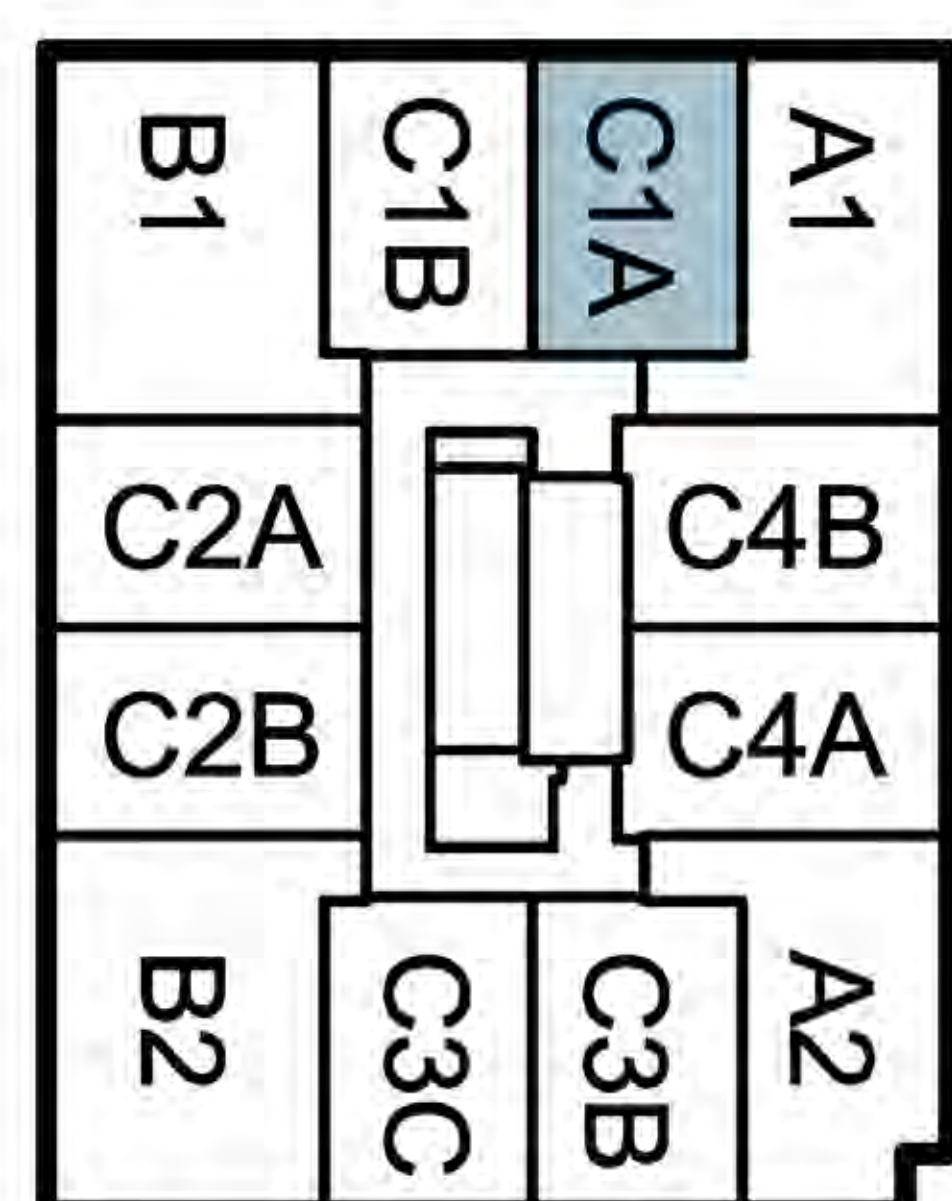
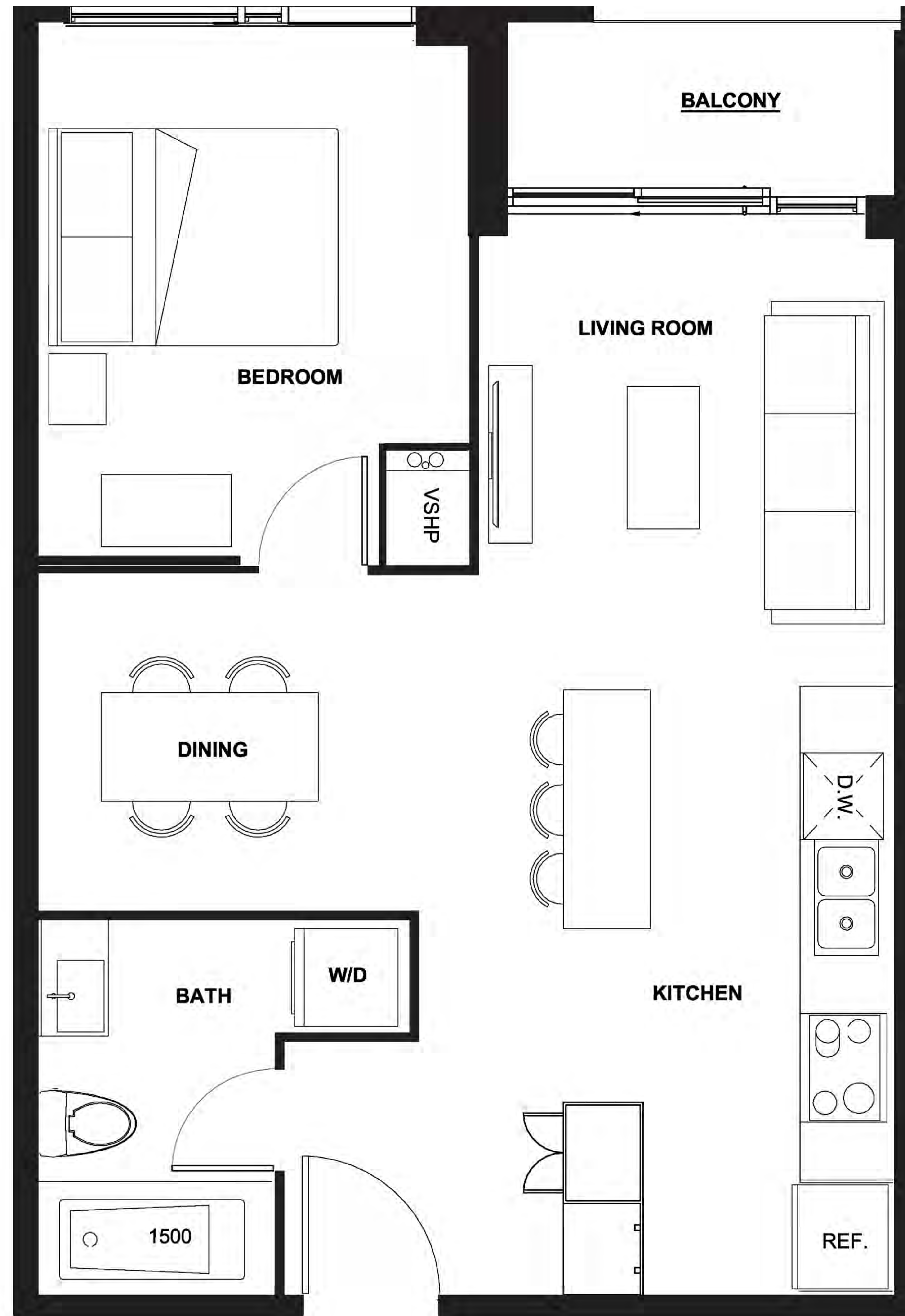


CONTACT: [LEASING@VRANCOR.COM](mailto:LEASING@VRANCOR.COM)

578 square feet

# NIKAU

| Bedroom | Bathroom | Balcony



LEVEL 10 - 26

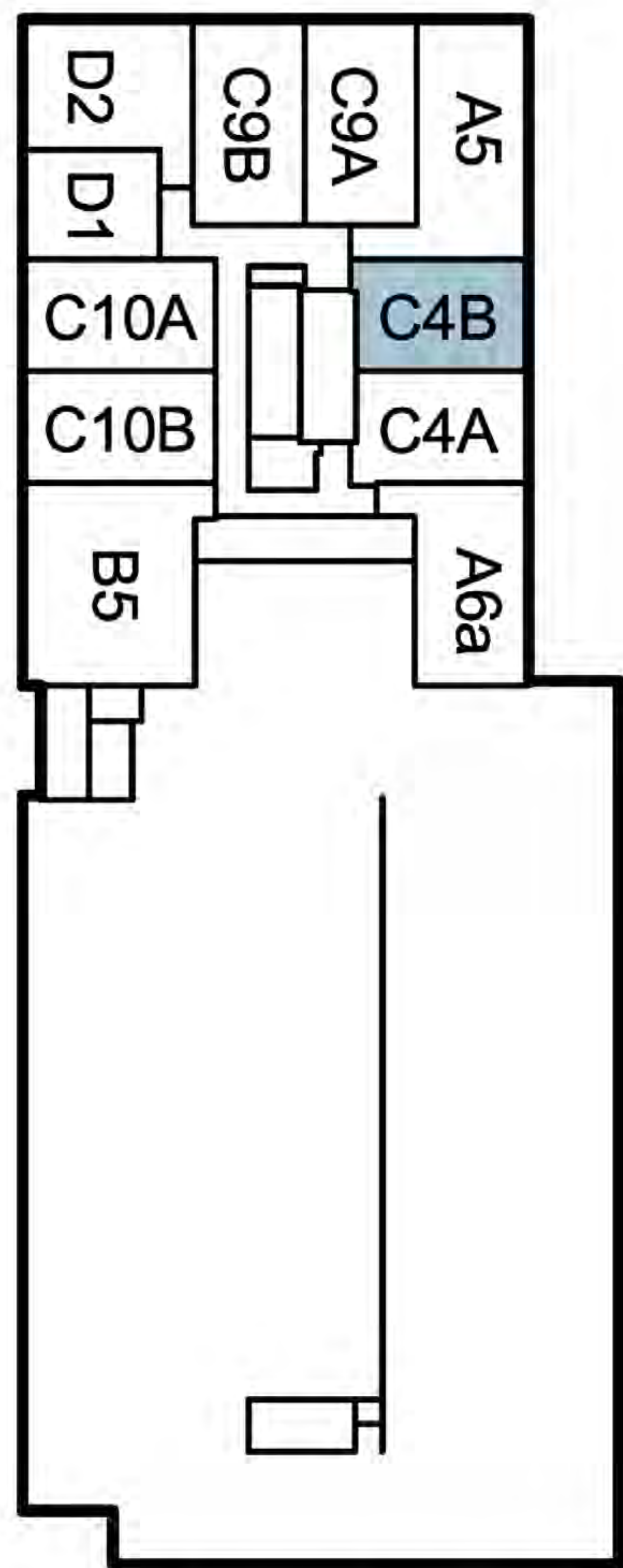
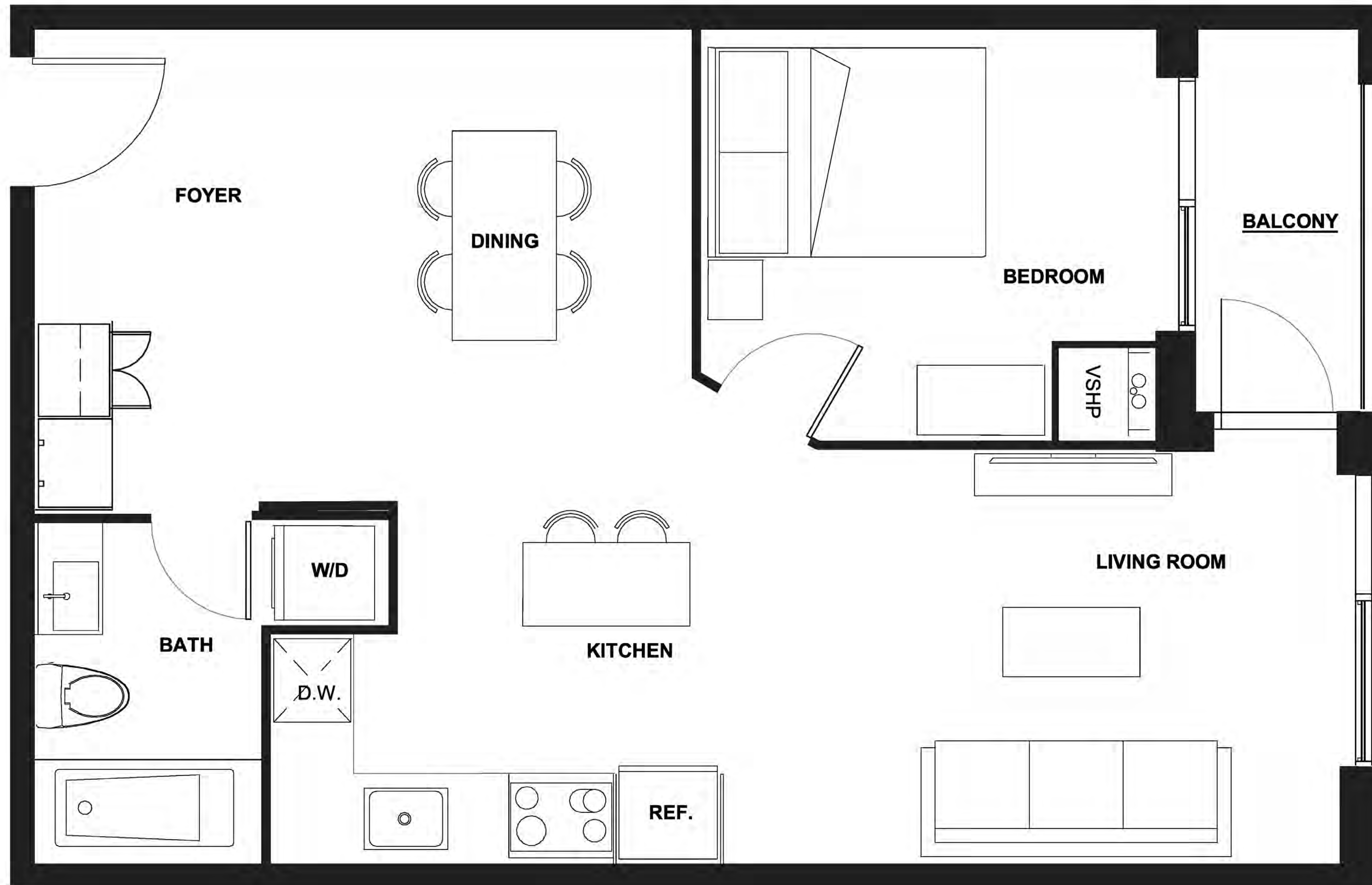


CONTACT: [LEASING@VRANCOR.COM](mailto:LEASING@VRANCOR.COM)

**577 square feet**

# ELM

| Bedroom | Bathroom | Balcony



LEVEL 3 - 7

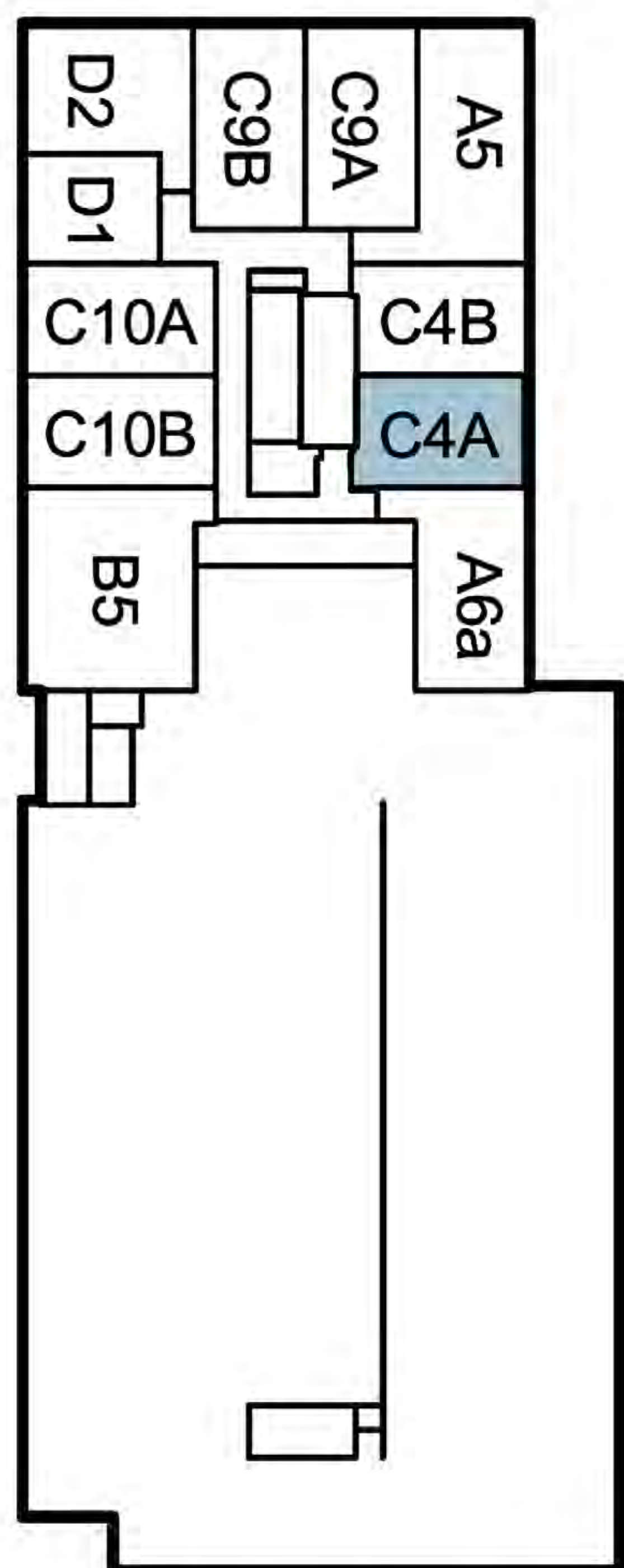
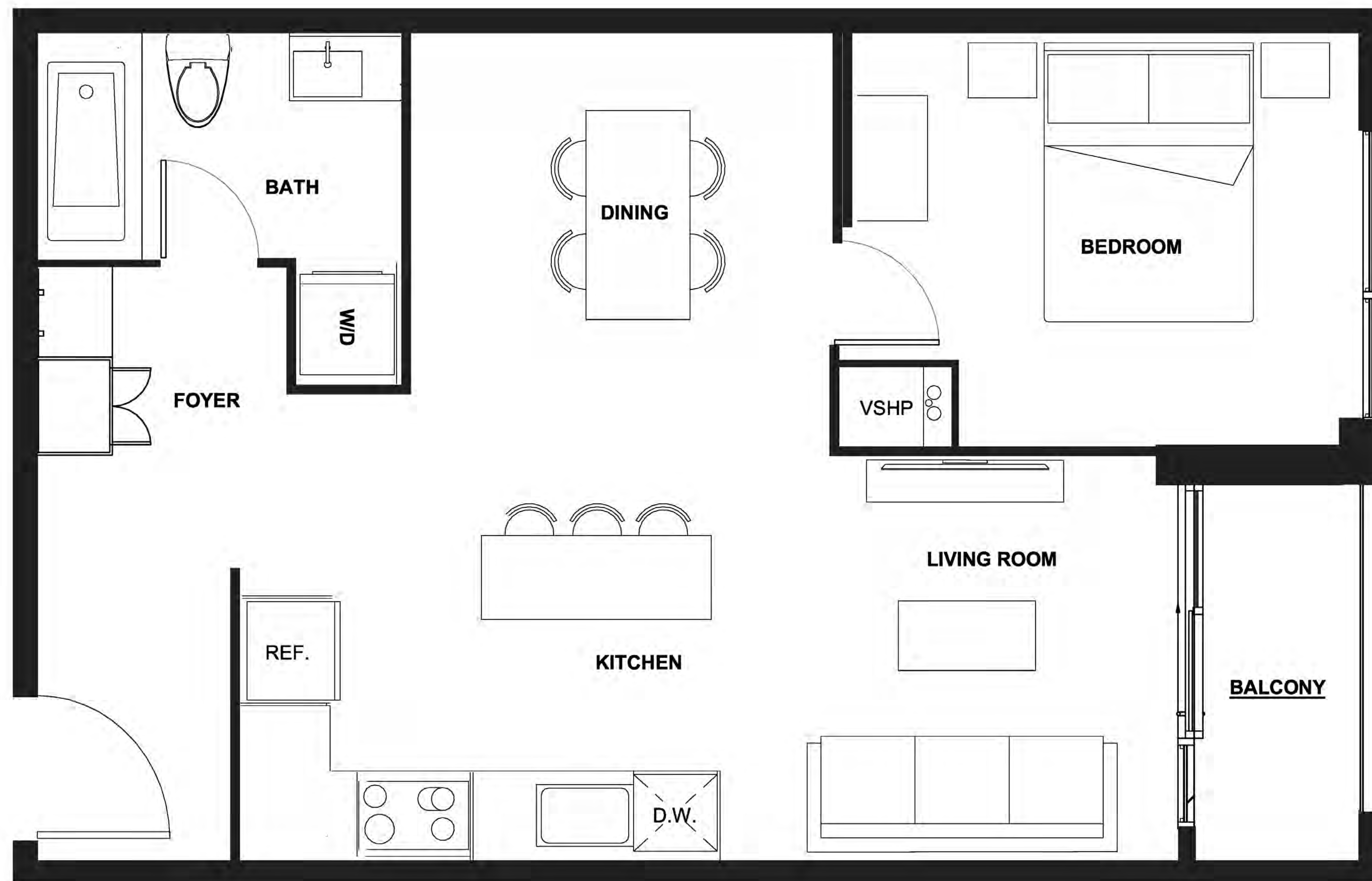


CONTACT: [LEASING@VRANCOR.COM](mailto:LEASING@VRANCOR.COM)

623 square feet

# EVERGLADE

| Bedroom | Bathroom | Balcony



LEVEL 3 - 7

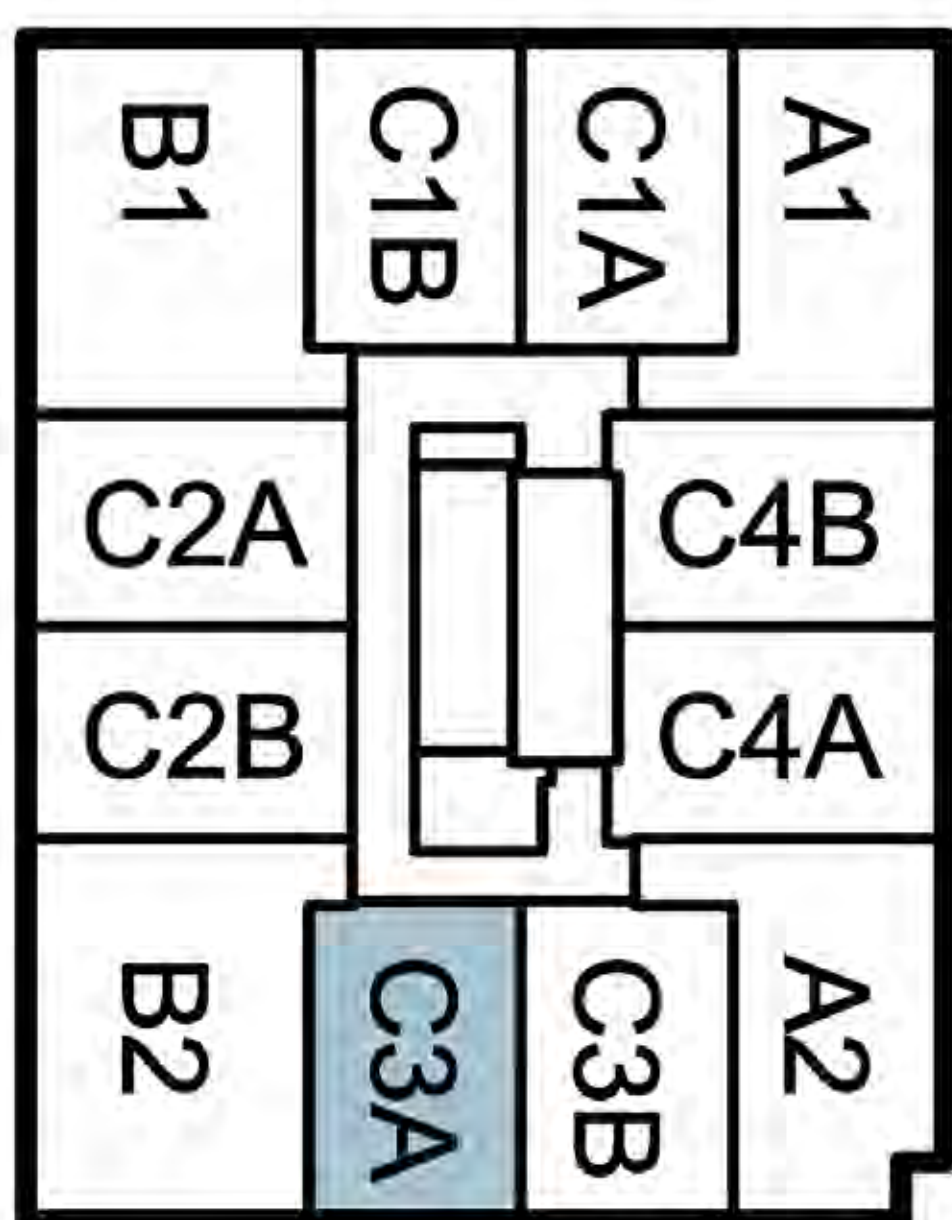
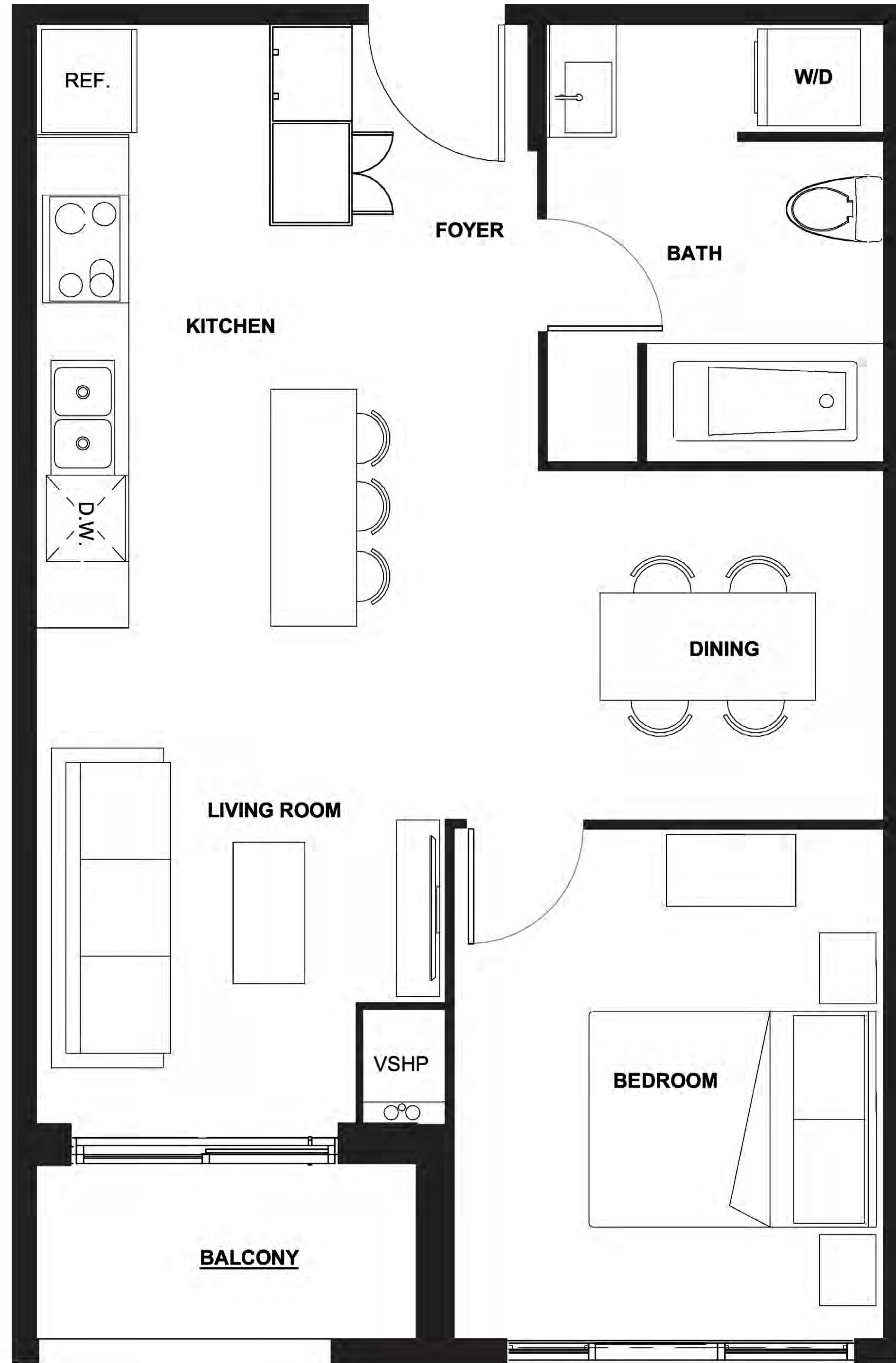


CONTACT: [LEASING@VRANCOR.COM](mailto:LEASING@VRANCOR.COM)

621 square feet

# SAGO

| Bedroom | Bathroom | Balcony



LEVEL 10 - 26

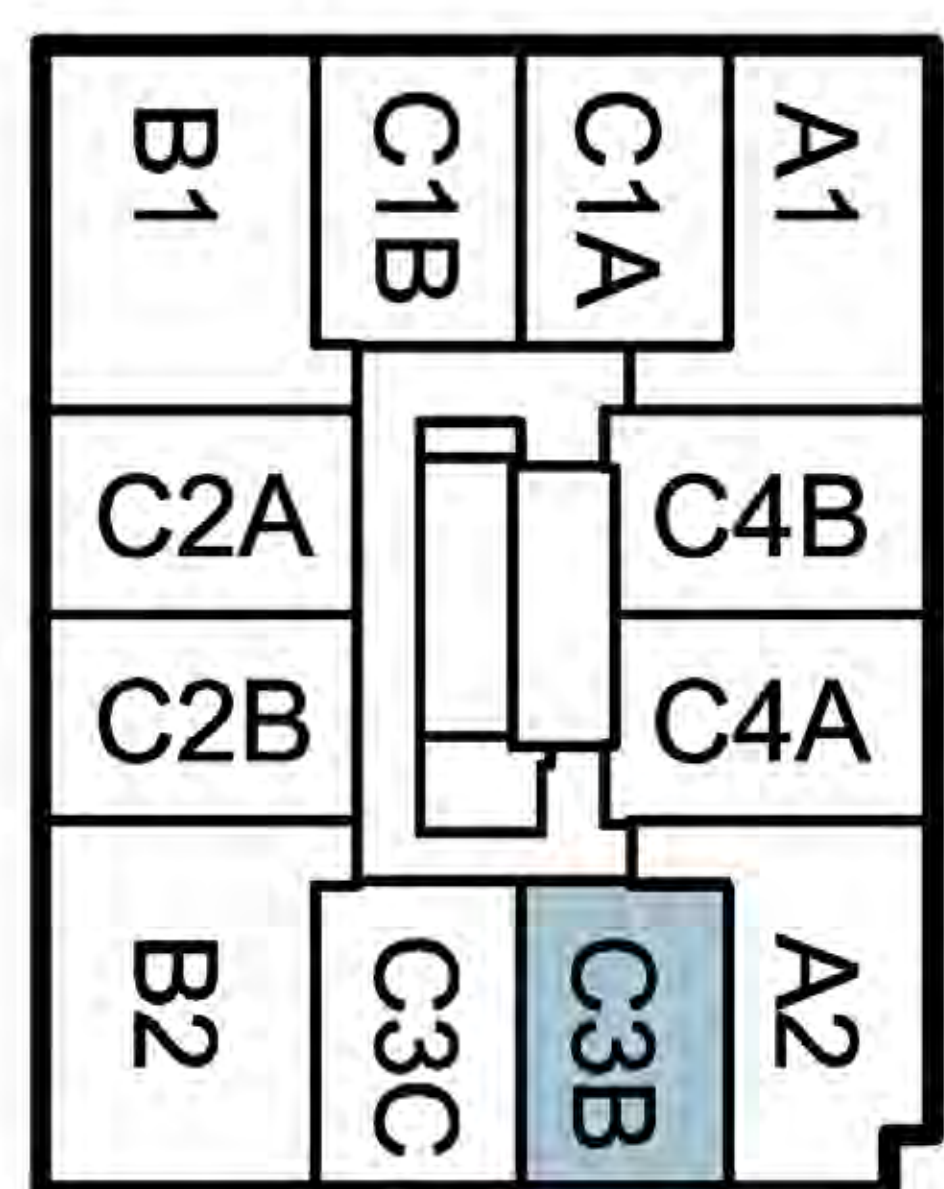
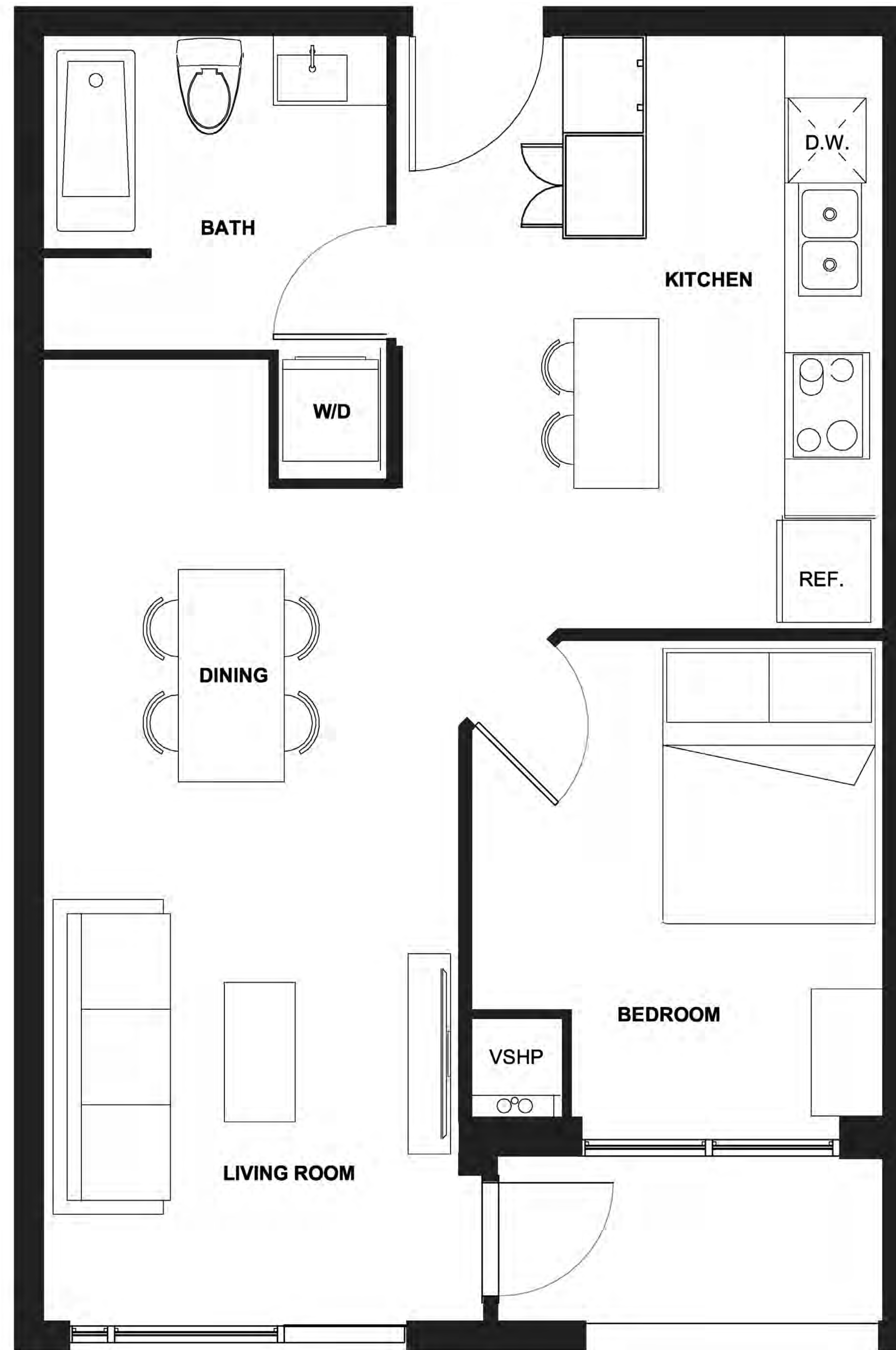


CONTACT: [LEASING@VRANCOR.COM](mailto:LEASING@VRANCOR.COM)

601 square feet

# SASSAFRAS

| Bedroom | Bathroom | Balcony



LEVEL 10 - 26

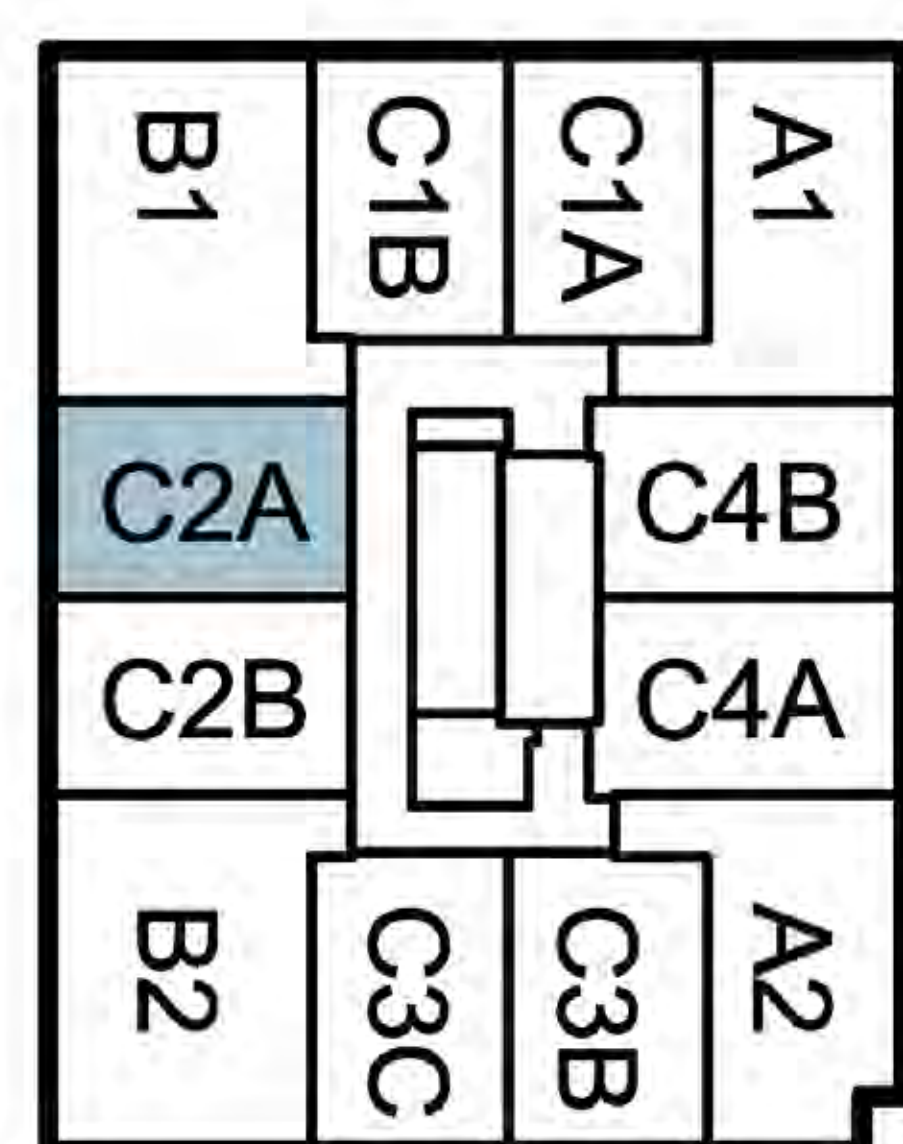
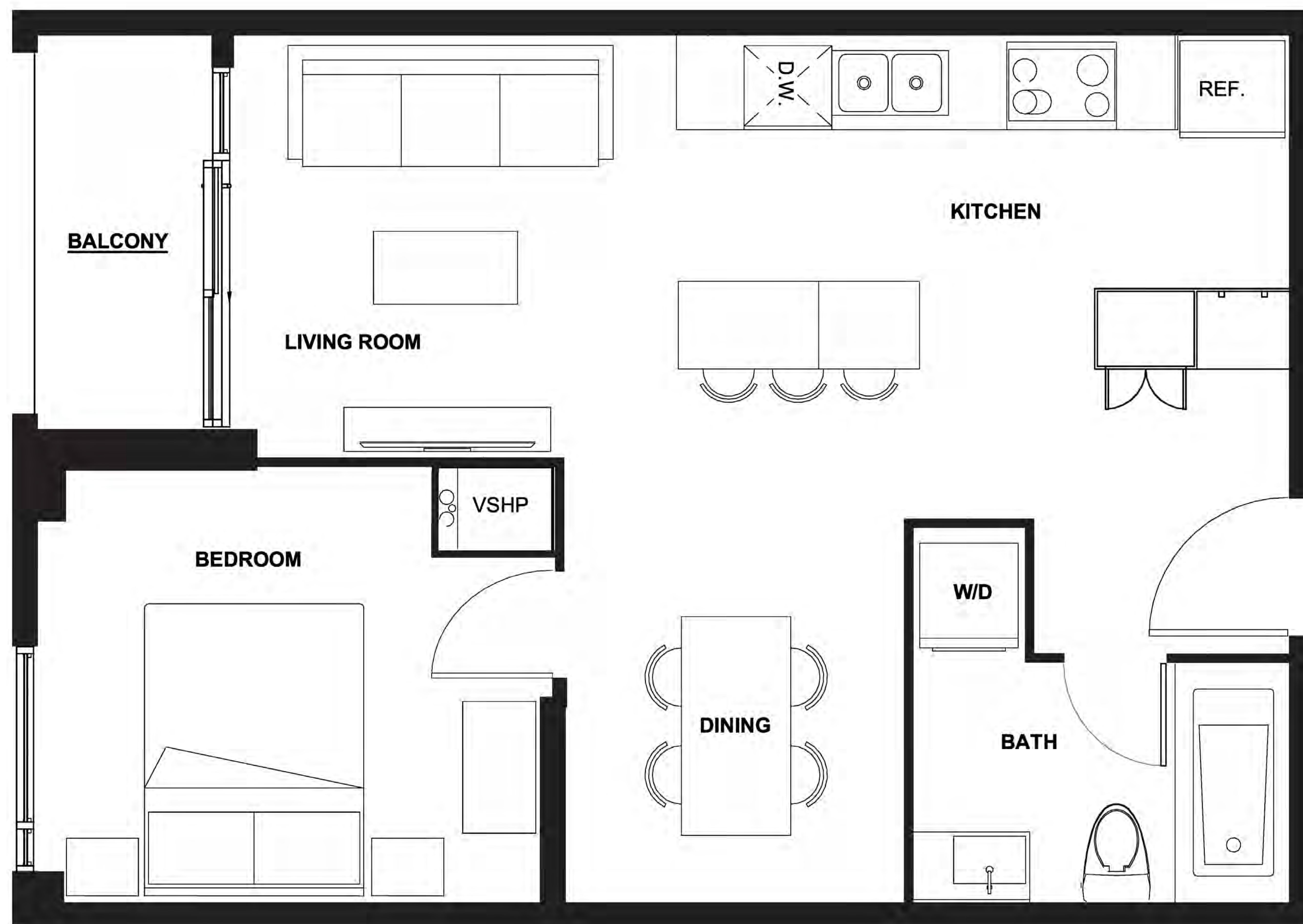


CONTACT: [LEASING@VRANCOR.COM](mailto:LEASING@VRANCOR.COM)

600 square feet

# WHITEBEAM

| Bedroom | Bathroom | Balcony



LEVEL 10 - 26



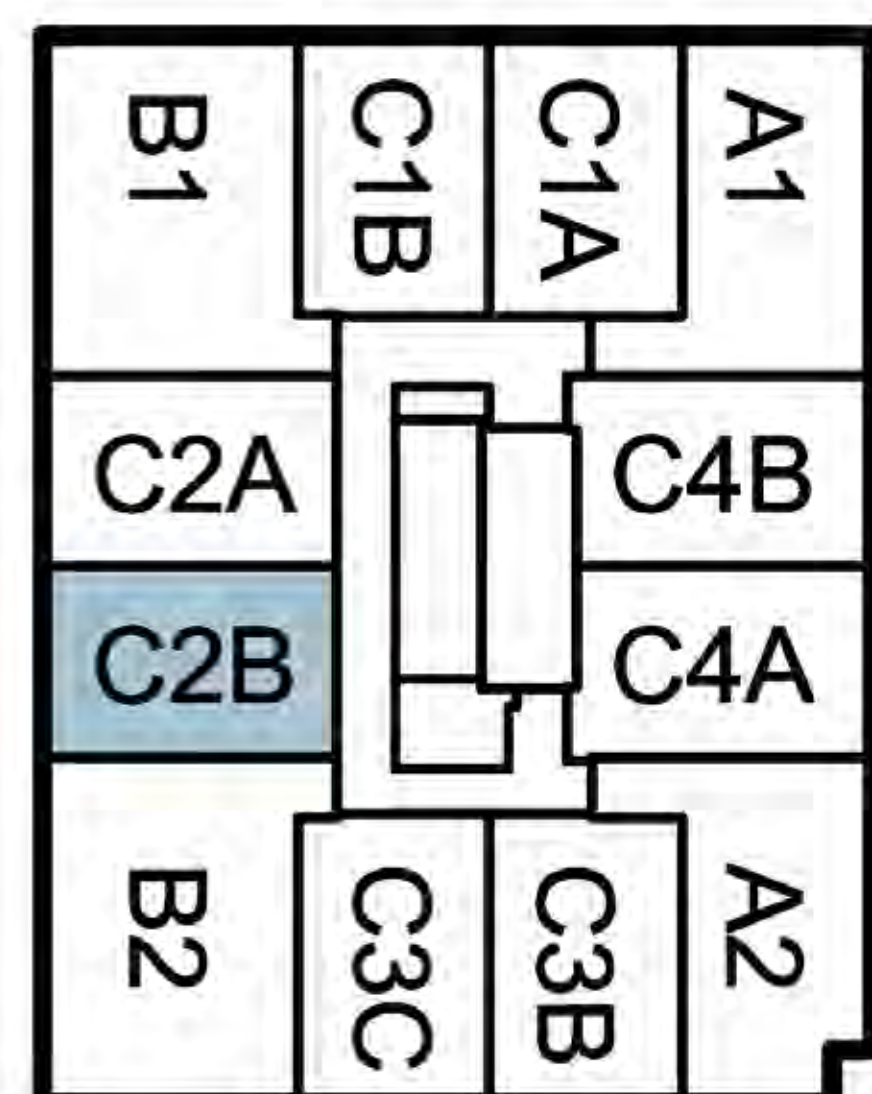
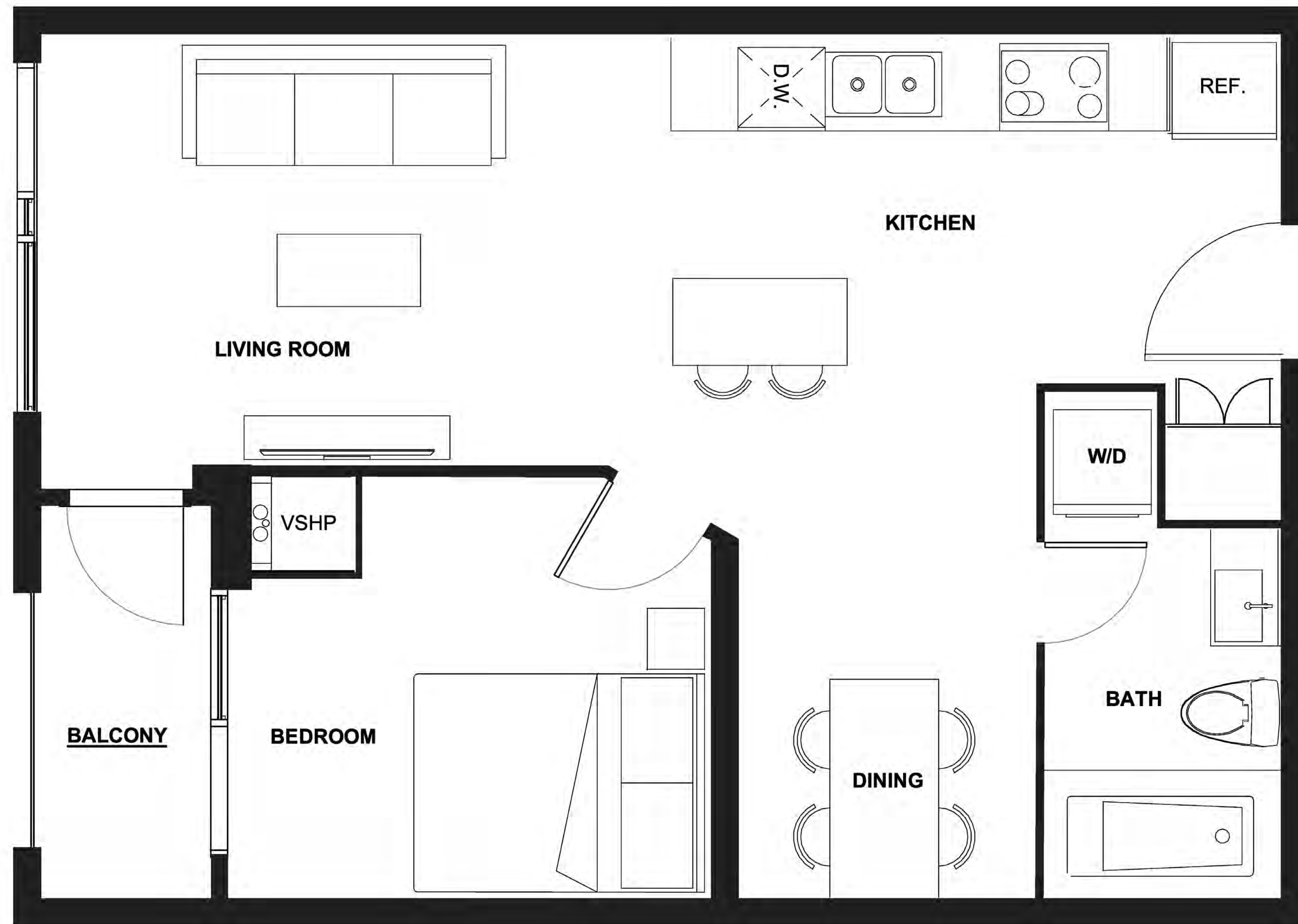
CONTACT: [LEASING@VRANCOR.COM](mailto:LEASING@VRANCOR.COM)

**564 square feet**



# WILLOW

| Bedroom | Bathroom | Balcony



LEVEL 10 - 26

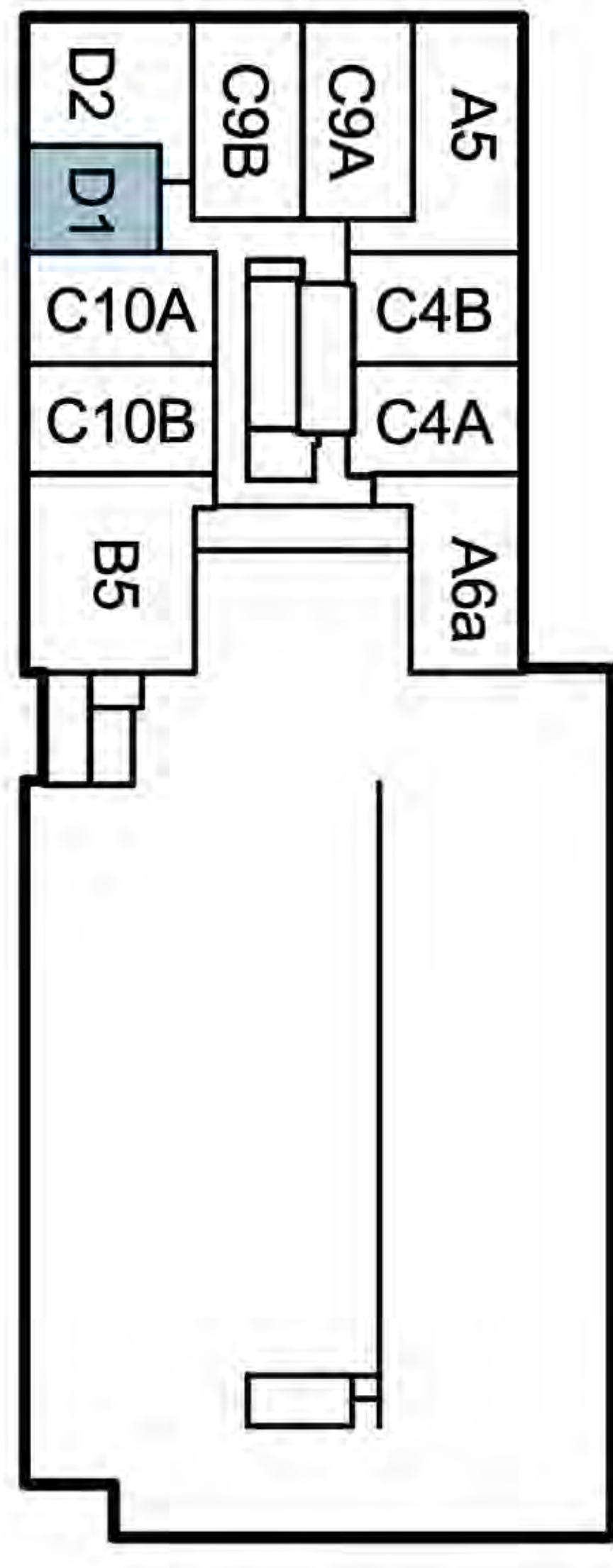
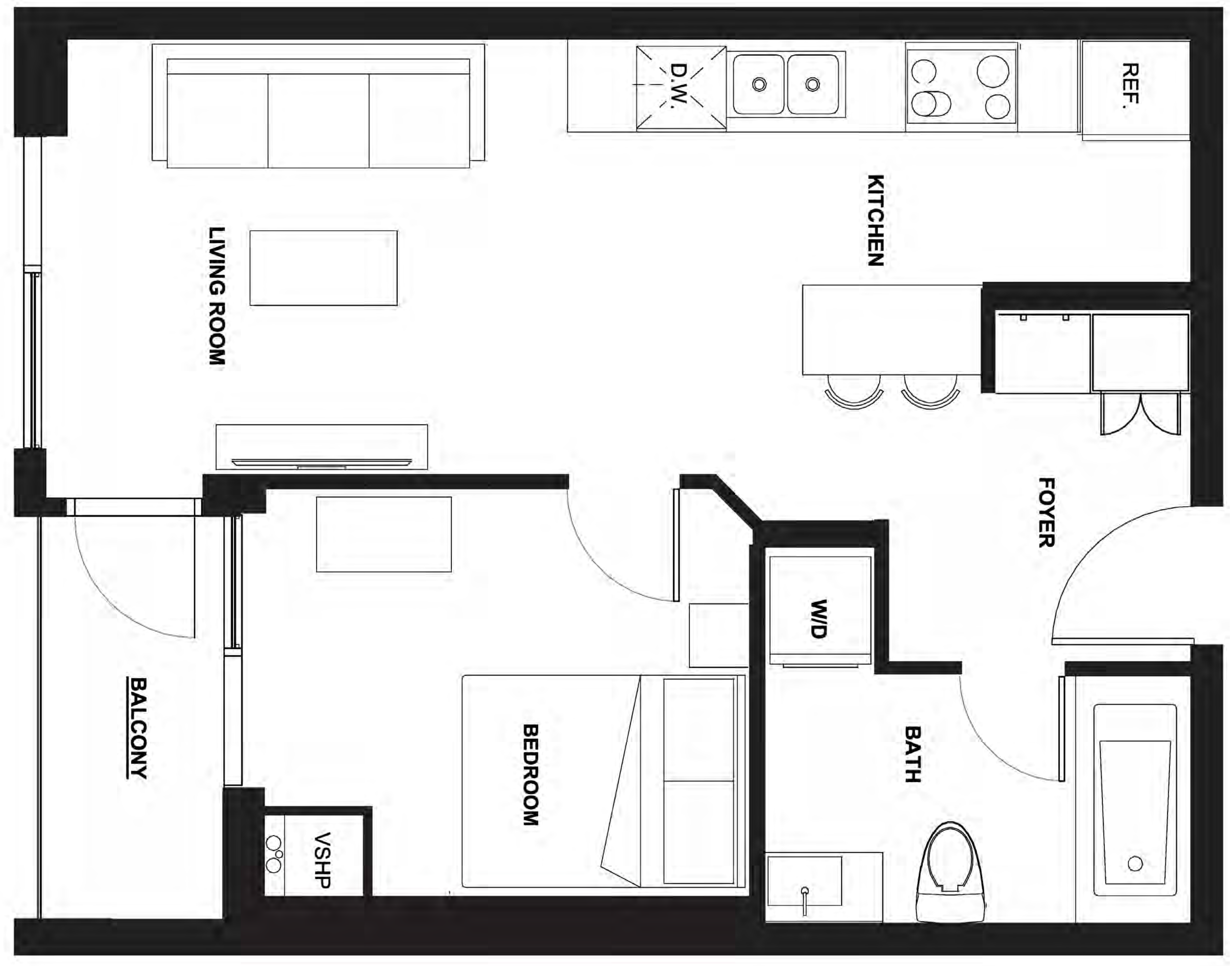


CONTACT: [LEASING@VRANCOR.COM](mailto:LEASING@VRANCOR.COM)

564 square feet

# WOLLEMI

| Bedroom | Bathroom | Balcony



LEVEL 3 - 7



CONTACT: [LEASING@VRANCOR.COM](mailto:LEASING@VRANCOR.COM)

**503 square feet**

# WINTERBLOOM

2 Bedrooms | 2 Bathrooms | 1 Balcony Terrace

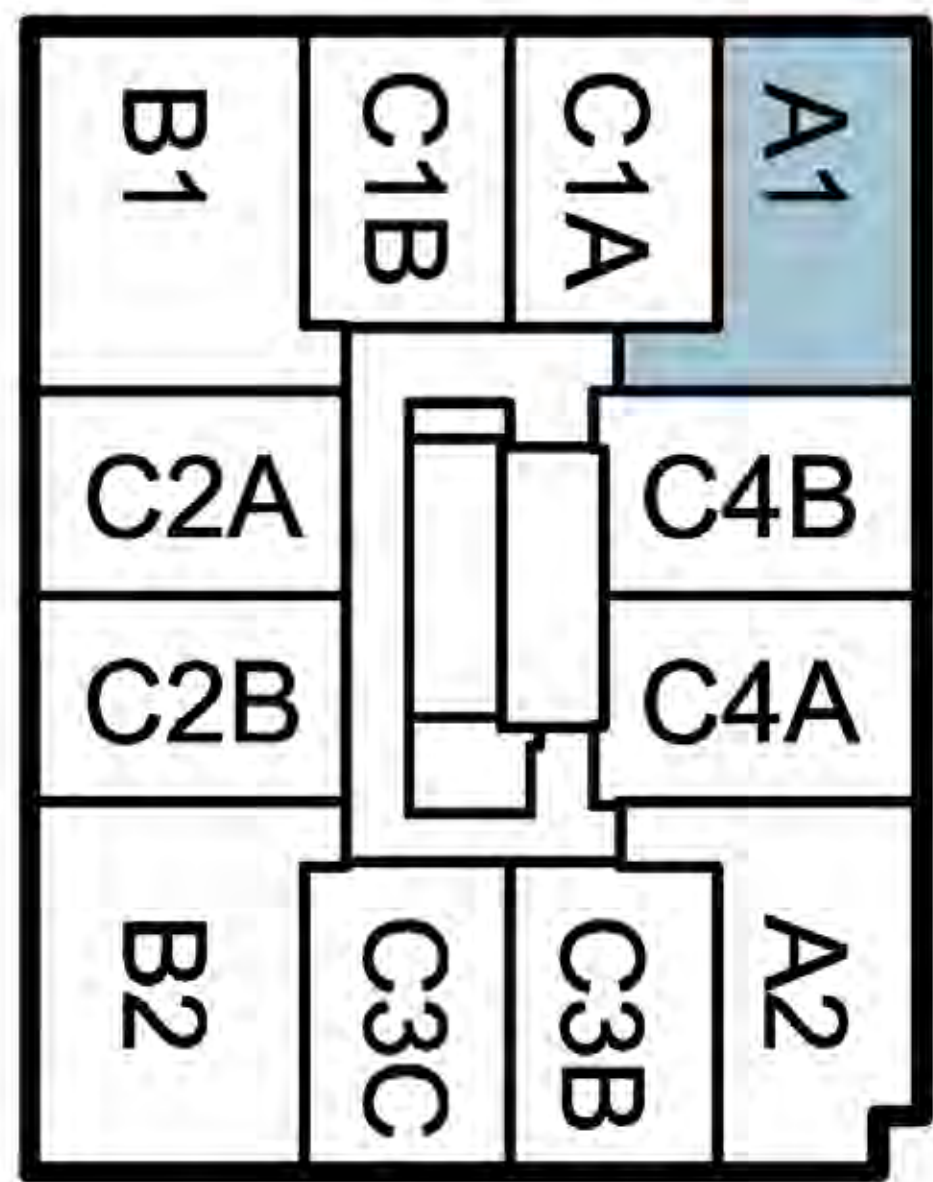


CONTACT: [LEASING@VRANCOR.COM](mailto:LEASING@VRANCOR.COM)

749 square feet

# NUTMEG

2 Bedrooms | 2 Bathrooms | 1 Balcony



LEVEL 9 - 17

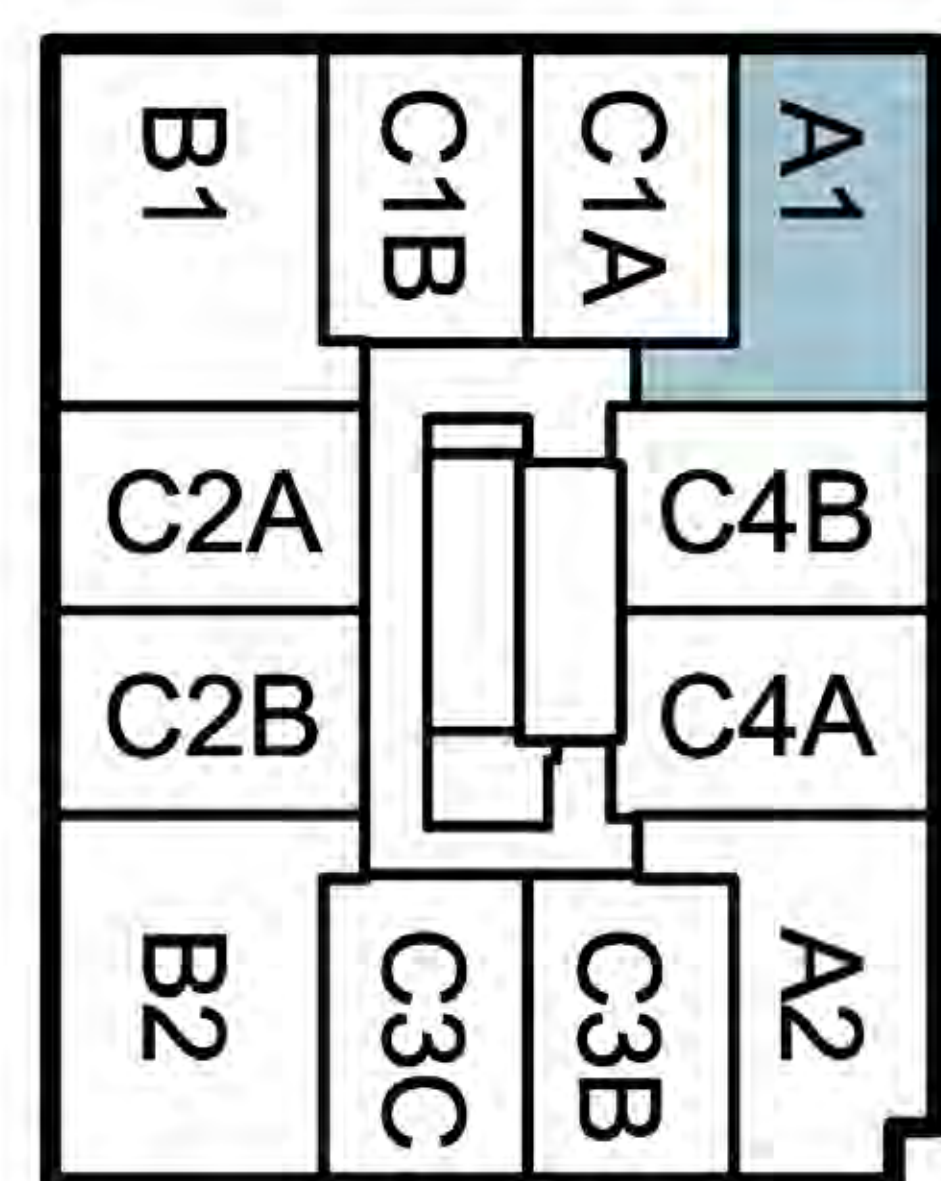


CONTACT: [LEASING@VRANCOR.COM](mailto:LEASING@VRANCOR.COM)

**746 square feet**

# NUTMEG+

1 Bedroom | 2 Bathrooms | 1 Balcony



LEVEL 18 - 26

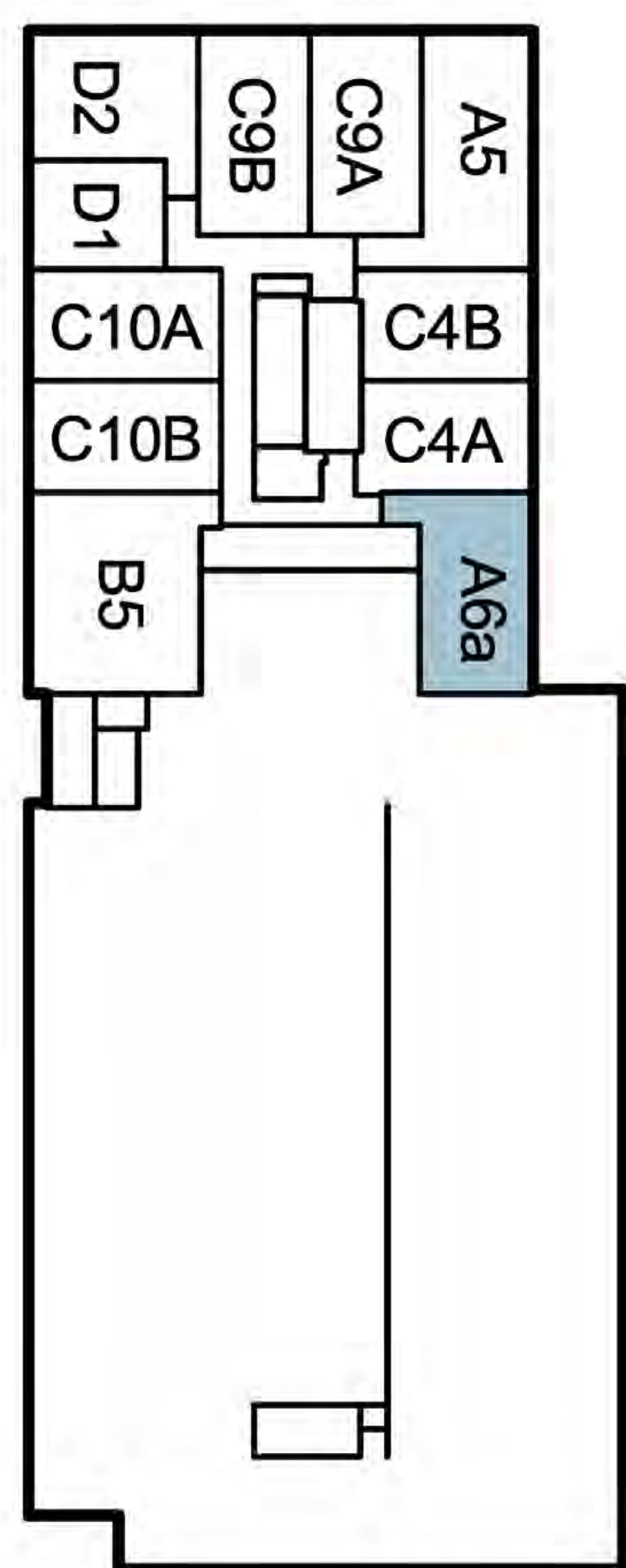


CONTACT: [LEASING@VRANCOR.COM](mailto:LEASING@VRANCOR.COM)

746 square feet

# SYCAMORE

2 Bedrooms | 2 Bathrooms | 1 Balcony



LEVEL 3 - 7

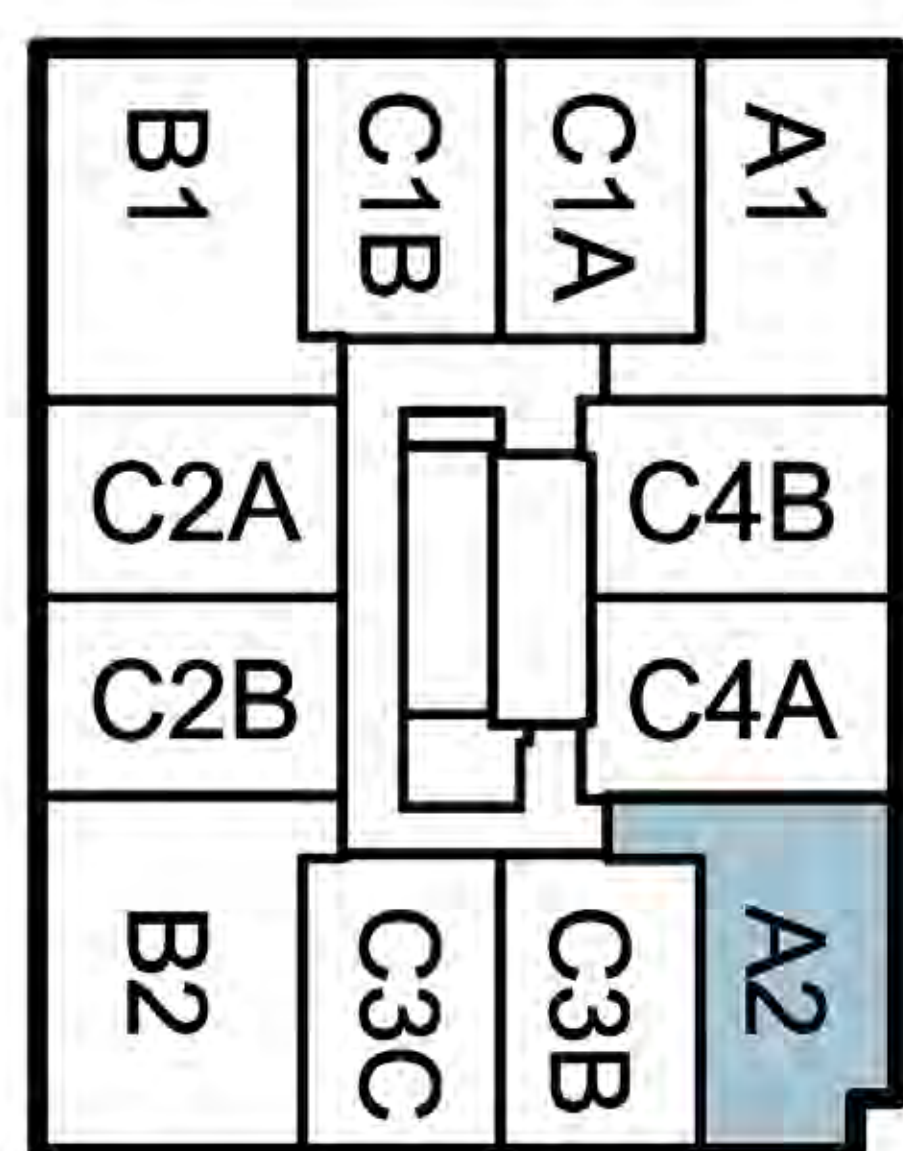
791 square feet



CONTACT: [LEASING@VRANCOR.COM](mailto:LEASING@VRANCOR.COM)

# ELDERBERRY

2 Bedrooms | 2 Bathrooms | 2 Balconies



LEVEL 10 - 26

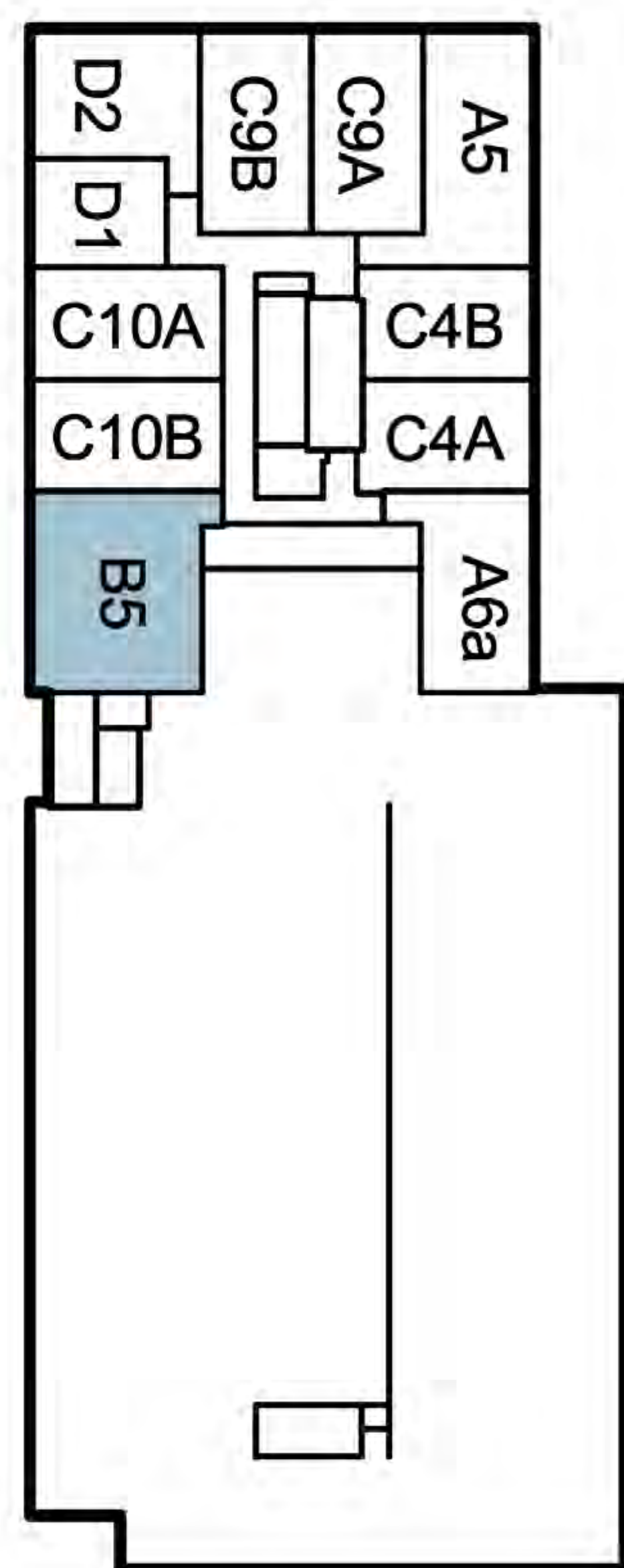
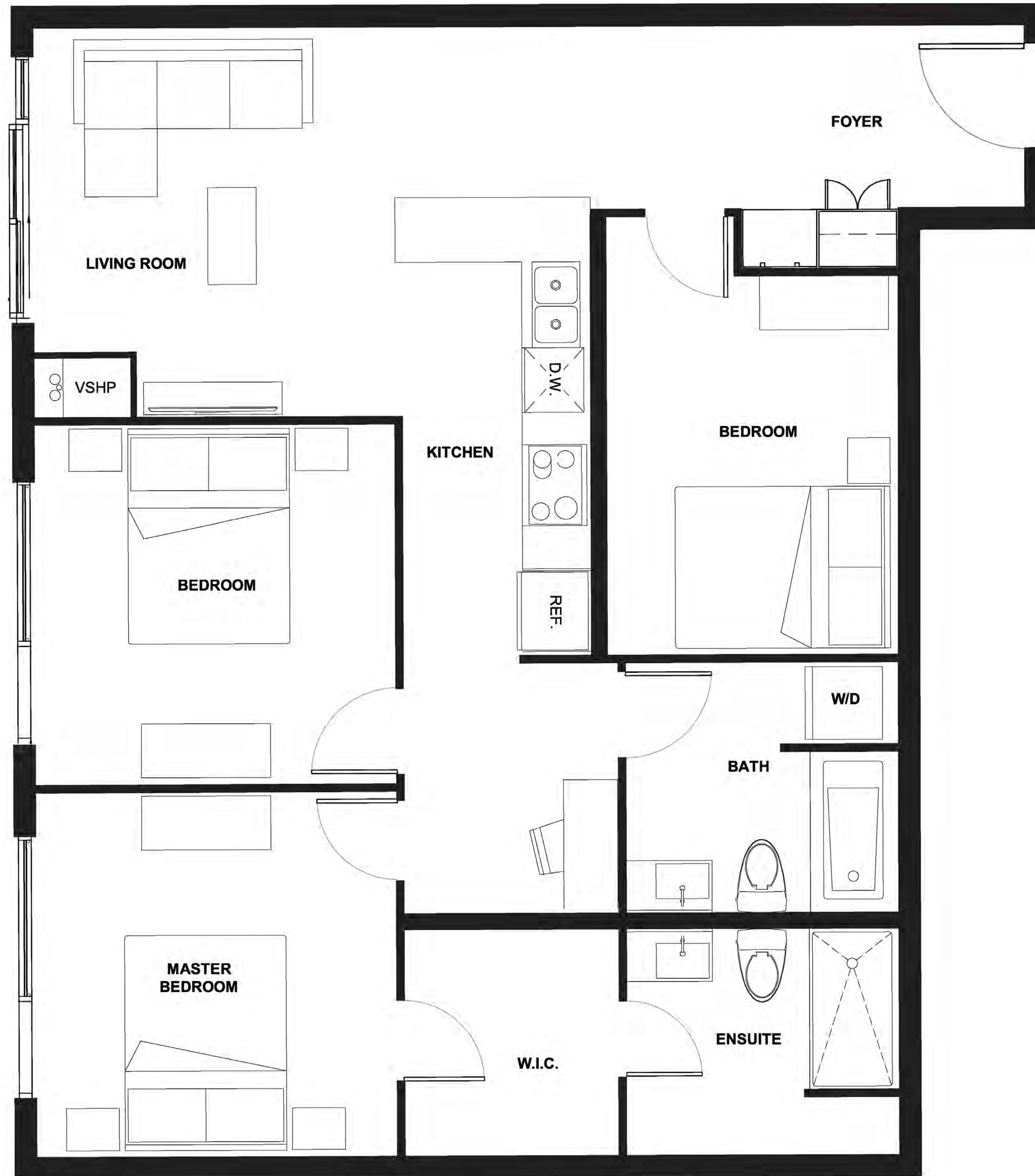


CONTACT: [LEASING@VRANCOR.COM](mailto:LEASING@VRANCOR.COM)

745 square feet

# SILVERBELL

3 Bedrooms | 2 Bathrooms | No Balcony



LEVEL 3 - 7



CONTACT: [LEASING@VRANCOR.COM](mailto:LEASING@VRANCOR.COM)

1059 square feet

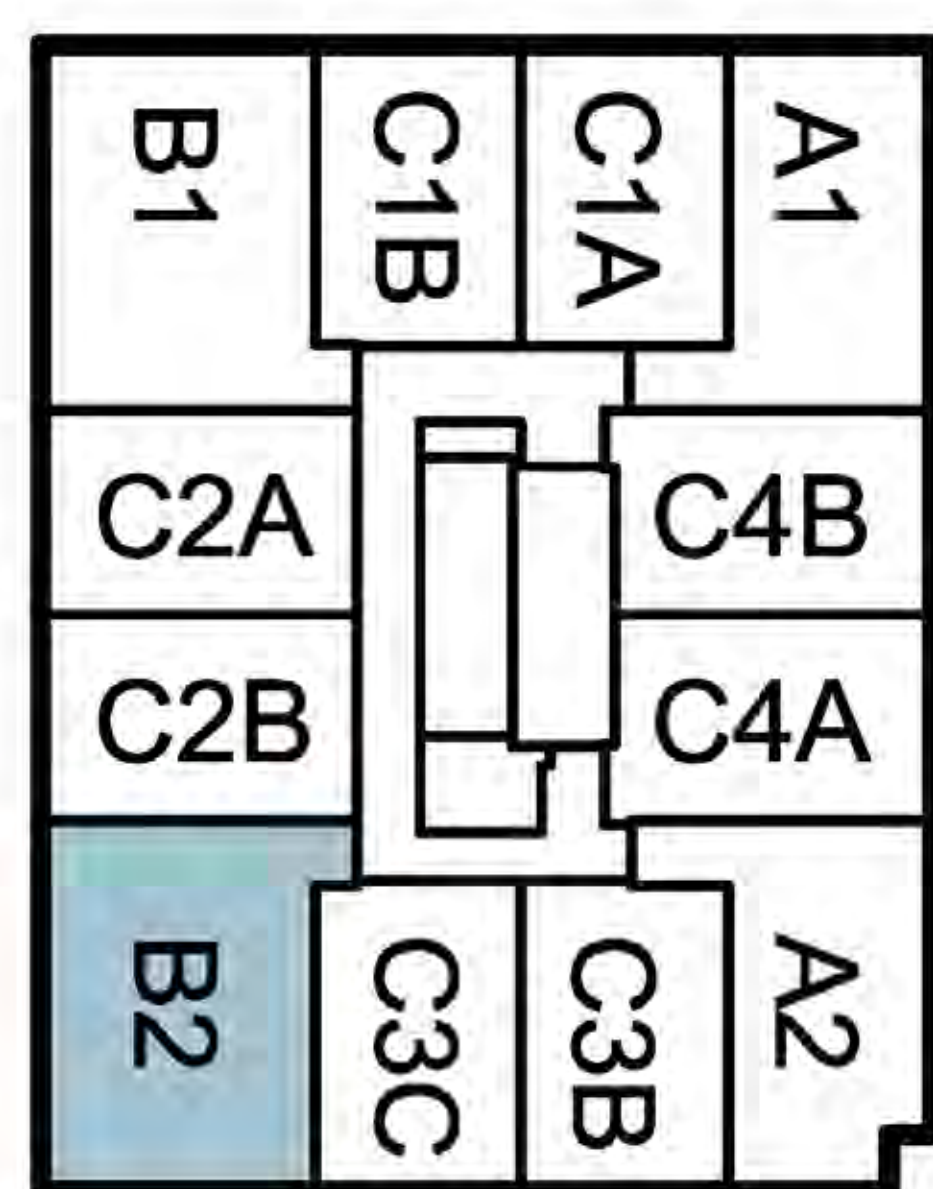


# SPRUCE

3 Bedrooms

2 Bathrooms

1 Balcony



LEVEL 10 - 26

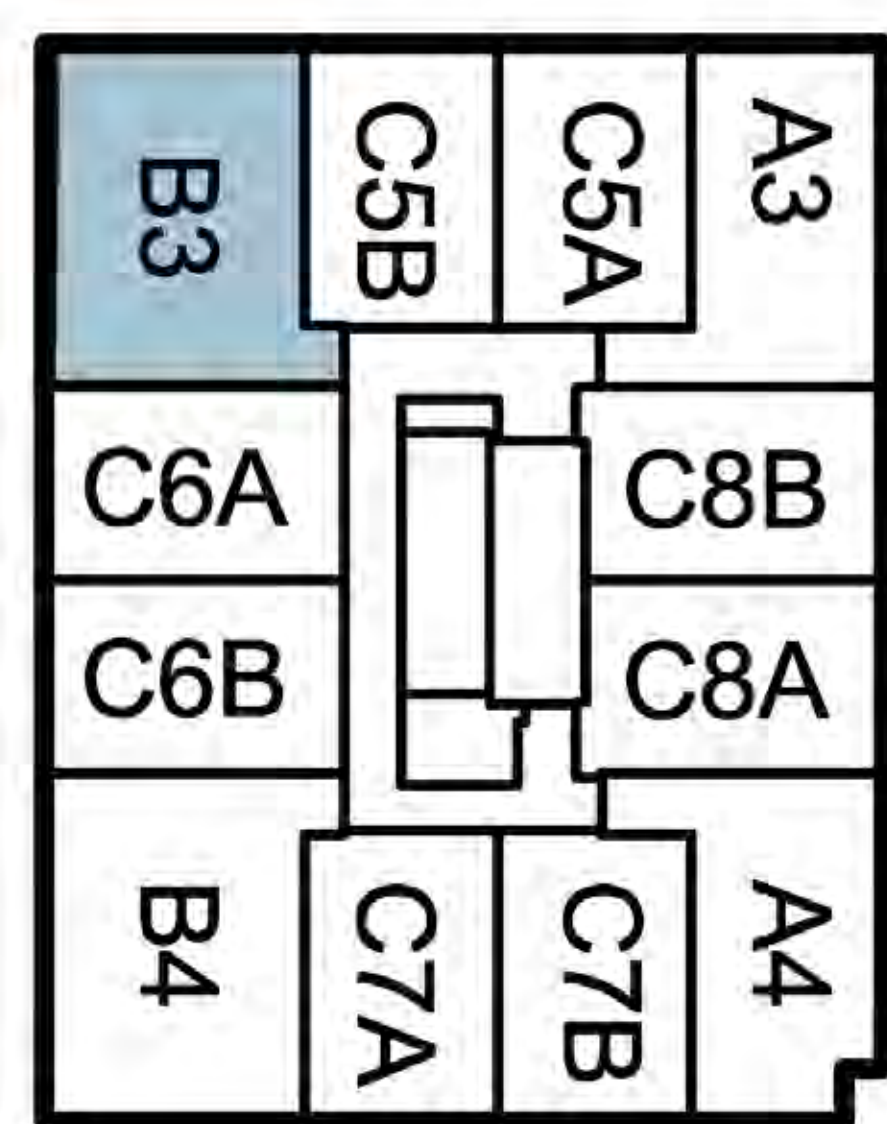


CONTACT: [LEASING@VRANCOR.COM](mailto:LEASING@VRANCOR.COM)

926 square feet

# WAYFARER JR

3 Bedrooms | 2 Bathrooms | No Balcony



LEVEL 9

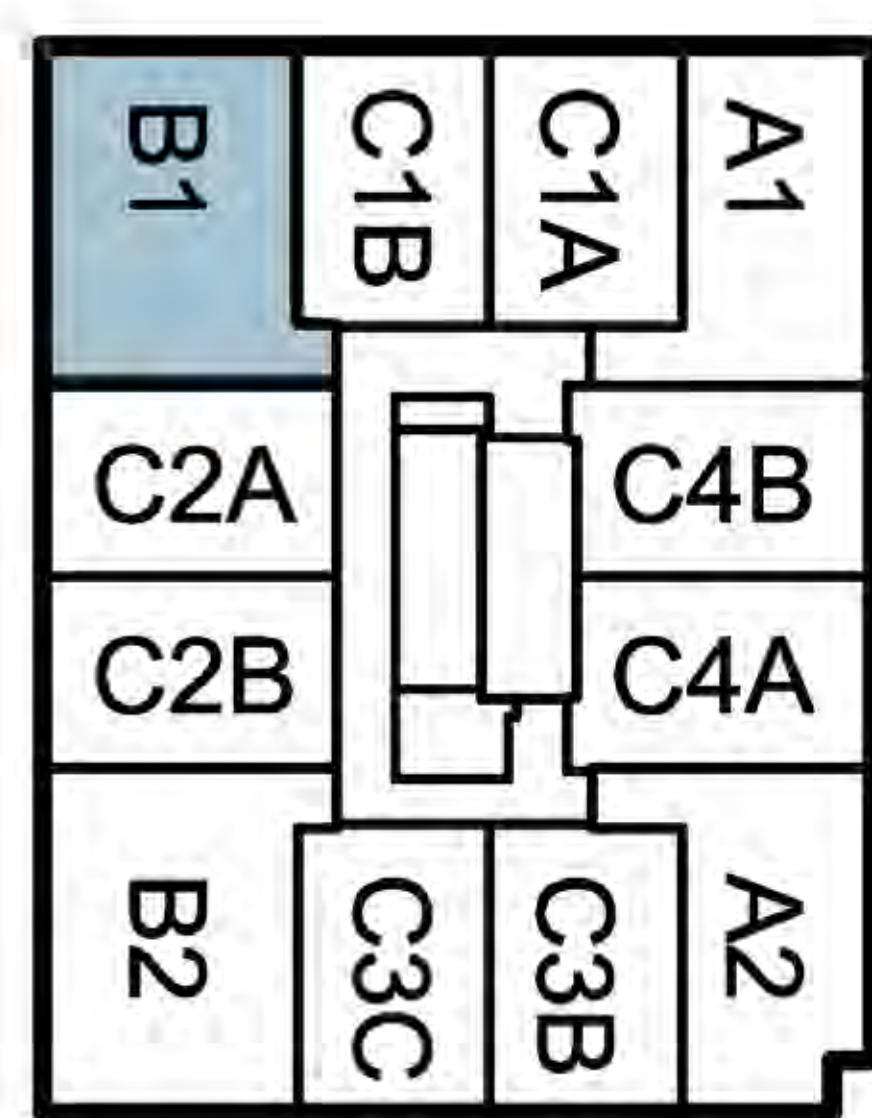


CONTACT: [LEASING@VRANCOR.COM](mailto:LEASING@VRANCOR.COM)

898 square feet

# WAYFARER

3 Bedrooms | 2 Bathrooms | 1 Balcony



LEVEL 10 - 26

898 square feet



CONTACT: [LEASING@VRANCOR.COM](mailto:LEASING@VRANCOR.COM)



**49 Walnut St S, Hamilton**